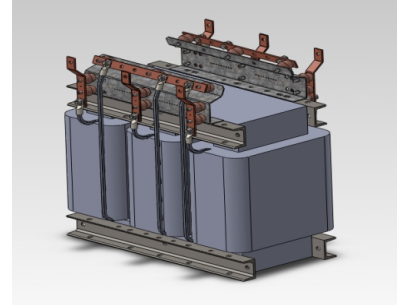


PRODUCT CARD

ORDER CODE	MTIC010HV4
PRODUCT WEIGHT (Kg)	~172

TRANSFORMER

STOCK CODE	1012900617
TRANSFORMER POWER	10 kVA
INPUT - OUTPUT TYPE	Y - Y
POWER FACTOR	PF 1
INPUT VOLTAGE	220 VAC Ph+N / 380 VAC Ph+Ph
OUTPUT VOLTAGE	220/440VAC Ph+N / 380/762VAC Ph-Ph
SIZE(mm)(WxHxD)	510 x 430 x 140
FREQUENCY	50 Hz
WIRE TYPE	ALUMINIUM
WEIGHT (Kg)	~145



CHASSIS

CHASSIS CODE	MKGT0003-FMP_R1
SIZE(mm)(WxHxD)	883 x 1048 x 431
MECHANICAL PROTECTION CLASS	IP20
WEIGHT (Kg)	~27

