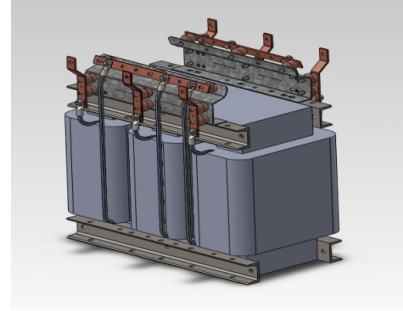


PRODUCT CARD

ORDER CODE	MTIC010HV7
PRODUCT WEIGHT (Kg)	~124

TRANSFORMER

STOCK CODE	1012900659
TRANSFORMER POWER	10 kVA
INPUT - OUTPUT TYPE	1 PHASE
POWER FACTOR	PF 0,8
INPUT VOLTAGE	220 VAC Ph+N / 0
OUTPUT VOLTAGE	220 VAC Ph+N / 0
SIZE(mm)(WxHxD)	382 x 355 x 255
FREQUENCY	50 Hz
WIRE TYPE	ALUMINIUM
WEIGHT (Kg)	~124



CHASSIS

CHASSIS CODE	MKGT0011-FMP
SIZE(mm)(WxHxD)	600 x 700 x 638
MECHANICAL PROTECTION CLASS	IP20
WEIGHT (Kg)	~

