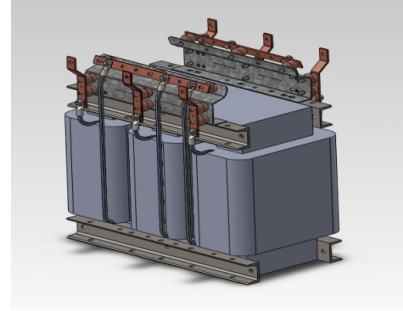


PRODUCT CARD

ORDER CODE	MTIC018HV1
PRODUCT WEIGHT (Kg)	~180

TRANSFORMER

STOCK CODE	1012900641
TRANSFORMER POWER	18 Kva
INPUT - OUTPUT TYPE	Y - Y
POWER FACTOR	PF 0,8
INPUT VOLTAGE	220 VAC Ph+N / 380 VAC Ph+Ph
OUTPUT VOLTAGE	220 VAC Ph+N / 380 VAC Ph+Ph
SIZE(mm)(WxHxD)	550 x 450 x 200
FREQUENCY	50 Hz
WIRE TYPE	ALUMINIUM
WEIGHT (Kg)	~135



CHASSIS

CHASSIS CODE	MKGT0009-FMP-R1
SIZE(mm)(WxHxD)	800 x 800 x 647
MECHANICAL PROTECTION CLASS	IP20
WEIGHT (Kg)	~45

