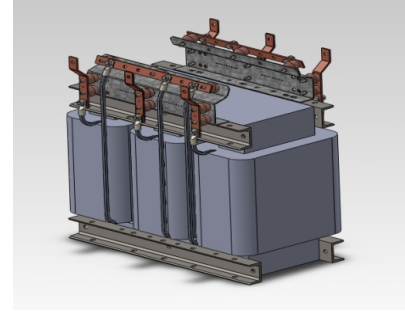


PRODUCT CARD

ORDER CODE	MTIC020HV1
PRODUCT WEIGHT (Kg)	~231

TRANSFORMER

STOCK CODE	1012900580
TRANSFORMER POWER	20 KVA
INPUT - OUTPUT TYPE	Y - Y
POWER FACTOR	PF 1
INPUT VOLTAGE	230 VAC Ph+N / 400 VAC Ph-Ph
OUTPUT VOLTAGE	230 VAC Ph+N / 400 VAC Ph-Ph
SIZE(mm)(WxHxD)	530 x 370 x 200
FREQUENCY	50 Hz
WIRE TYPE	ALUMINIUM
WEIGHT (Kg)	~190



CHASSIS

CHASSIS CODE	MKGT0010-FMP-R2
SIZE(mm)(WxHxD)	805 x 700 x 665
MECHANICAL PROTECTION CLASS	IP20
WEIGHT (Kg)	~41

