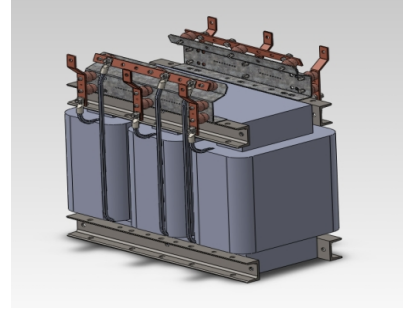


**PRODUCT CARD**

ORDER CODE	MTIC030HV4
PRODUCT WEIGHT (Kg)	

**TRANSFORMER**

STOCK CODE	1012900619
TRANSFORMER POWER	30 kVA
INPUT - OUTPUT TYPE	Y - Y
POWER FACTOR	PF 1
INPUT VOLTAGE	220 VAC Ph+N / 380 VAC Ph+Ph
OUTPUT VOLTAGE	220 VAC Ph+N / 380 VAC Ph+Ph
SIZE(mm)(WxHxD)	426 x 410 x 246
FREQUENCY	50 Hz
WIRE TYPE	ALUMINIUM
WEIGHT (Kg)	~155



**CHASSIS**

CHASSIS CODE	MKGT0006-FMP-R1
SIZE(mm)(WxHxD)	625 x 800 x 495
MECHANICAL PROTECTION CLASS	IP20
WEIGHT (Kg)	~

