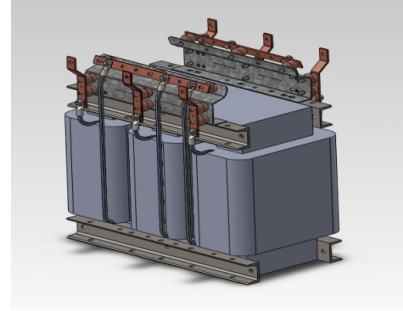


**PRODUCT CARD**

ORDER CODE	MTIC030HV5
PRODUCT WEIGHT (Kg)	~234

**TRANSFORMER**

STOCK CODE	1012900648
TRANSFORMER POWER	30 KVA
INPUT - OUTPUT TYPE	Y - Y
POWER FACTOR	PF 0,8
INPUT VOLTAGE	220 VAC Ph+N / 380 VAC Ph+Ph
OUTPUT VOLTAGE	220 VAC Ph+N / 380 VAC Ph+Ph
SIZE(mm)(WxHxD)	528 x 370 x 198
FREQUENCY	50Hz
WIRE TYPE	ALUMINIUM
WEIGHT (Kg)	~193



**CHASSIS**

CHASSIS CODE	MKGT0010-FMP-R2
SIZE(mm)(WxHxD)	805 x 700 x 665
MECHANICAL PROTECTION CLASS	IP20
WEIGHT (Kg)	~41

