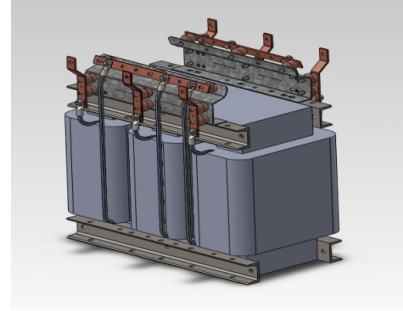


PRODUCT CARD

ORDER CODE	MTIC100HV3
PRODUCT WEIGHT (Kg)	~410

TRANSFORMER

STOCK CODE	1012900551
TRANSFORMER POWER	100 kVA
INPUT - OUTPUT TYPE	Y - Y
POWER FACTOR	PF 1
INPUT VOLTAGE	230 VAC Ph+N / 400 VAC Ph-Ph
OUTPUT VOLTAGE	230 VAC Ph+N / 400 VAC Ph-Ph
SIZE(mm)(WxHxD)	596 x 620 x 296
FREQUENCY	50 Hz
WIRE TYPE	ALUMINIUM
WEIGHT (Kg)	~410



CHASSIS

CHASSIS CODE	MKGT0008-FMP
SIZE(mm)(WxHxD)	905 x 1000 x 792
MECHANICAL PROTECTION CLASS	IP20
WEIGHT (Kg)	~

