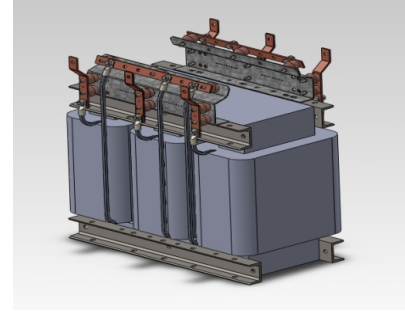


**PRODUCT CARD**

ORDER CODE	MTIC120HV3
PRODUCT WEIGHT (Kg)	~450

**TRANSFORMER**

STOCK CODE	1012900552
TRANSFORMER POWER	120 kVA
INPUT - OUTPUT TYPE	Y - Y
POWER FACTOR	PF 1
INPUT VOLTAGE	230 VAC Ph+N / 400 VAC Ph-Ph
OUTPUT VOLTAGE	230 VAC Ph+N / 400 VAC Ph-Ph
SIZE(mm)(WxHxD)	650 x 550 x 275
FREQUENCY	50 Hz
WIRE TYPE	ALUMINIUM
WEIGHT (Kg)	~450



**CHASSIS**

CHASSIS CODE	MKGT0008-FMP
SIZE(mm)(WxHxD)	905 x 1000 x 792
MECHANICAL PROTECTION CLASS	IP20
WEIGHT (Kg)	~

