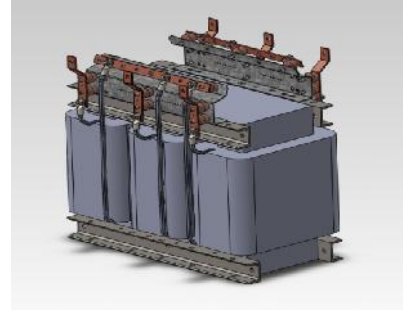


PRODUCT CARD

ORDER CODE	MTIC250HV3
PRODUCT WEIGHT (Kg)	~765

TRANSFORMER

STOCK CODE	1012900585
TRANSFORMER POWER	250 kVA
INPUT - OUTPUT TYPE	Y - Y
POWER FACTOR	PF 1
INPUT VOLTAGE	220 VAC Ph+N / 380 VAC Ph+Ph
OUTPUT VOLTAGE	220 VAC Ph+N / 380 VAC Ph+Ph
SIZE(mm)(WxHxD)	776 x 640 x 300
FREQUENCY	50 Hz
WIRE TYPE	ALUMINIUM
WEIGHT (Kg)	~765



CHASSIS

CHASSIS CODE	MKGT0012-FMP
SIZE(mm)(WxHxD)	1120 x 1000 x 842
MECHANICAL PROTECTION CLASS	IP20
WEIGHT (Kg)	~

